

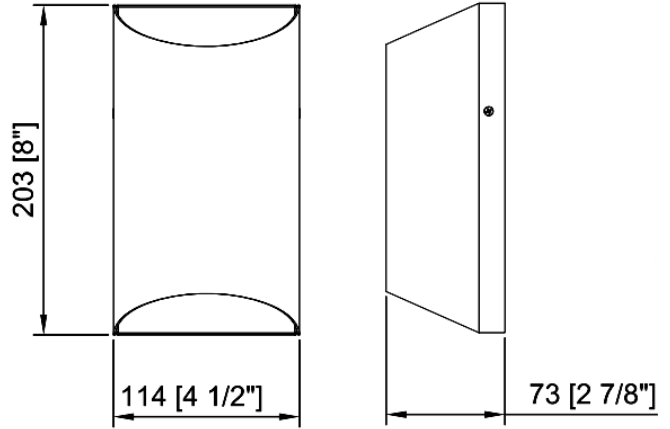


CRES-51-30K-BR
CRES-51-40K-BR
CRES-51-50K-BR

CRES-51-30K-SIL
CRES-51-40K-SIL
CRES-51-50K-SIL

DIMENSIONS:

8"(L) x 4.5"(W) x 2.87"(D)



MODEL	WATTS	VOLTAGE	LUMENS	COLOR TEMP
CRES-51-30K-BR	15W(7.5W X 2)	100~277ACV	1300LM	3000K
CRES-51-40K-BR	15W(7.5W X 2)	100~277ACV	1300LM	4000K
CRES-51-50K-BR	15W(7.5W X 2)	100~277ACV	1300LM	5000k
CRES-51-30K-SIL	15W(7.5W X 2)	100~277ACV	1300LM	3000K
CRES-51-40K-SIL	15W(7.5W X 2)	100~277ACV	1300LM	4000K
CRES-51-50K-SIL	15W(7.5W X 2)	100~277ACV	1300LM	5000k

CREST BY WESTGATE LED WALL SCONCES

Ideal for general site lighting, residential houses, doorway.

ELECTRICAL SPECIFICATIONS:

- Voltage: 100~277ACV
- Wattage: 15W(7.5W X 2)
- Power Factor: 0.95
- Efficacy: 86LM/W

HOUSING SPECIFICATIONS:

- Patent-Pending design with separate light engine (base) and interchangeable designer trims expand the series to multiple color temperatures and models.
- Series can be stocked as separate engines and trims to offer a versatile collection at the store level
- Die-cast Aluminum weatherproof housing, steel backplate, Aluminum Trim (Dark Bronze or Silver)
- Operating temperature: -40°F to 107°F
- Lifespan: 50,000 hr.
- IP Rating: IP65, Suitable for wet locations

CERTIFICATIONS:



LIGHTING SPECIFICATIONS:

- LED: Philips Lumileds LEDs
- Total lumens: 1300LM
- Color temperature: 3000K/4000k/5000k
- Color rendering index: >70

WARRANTY: 7 years

